

### SPECIFICATIONS

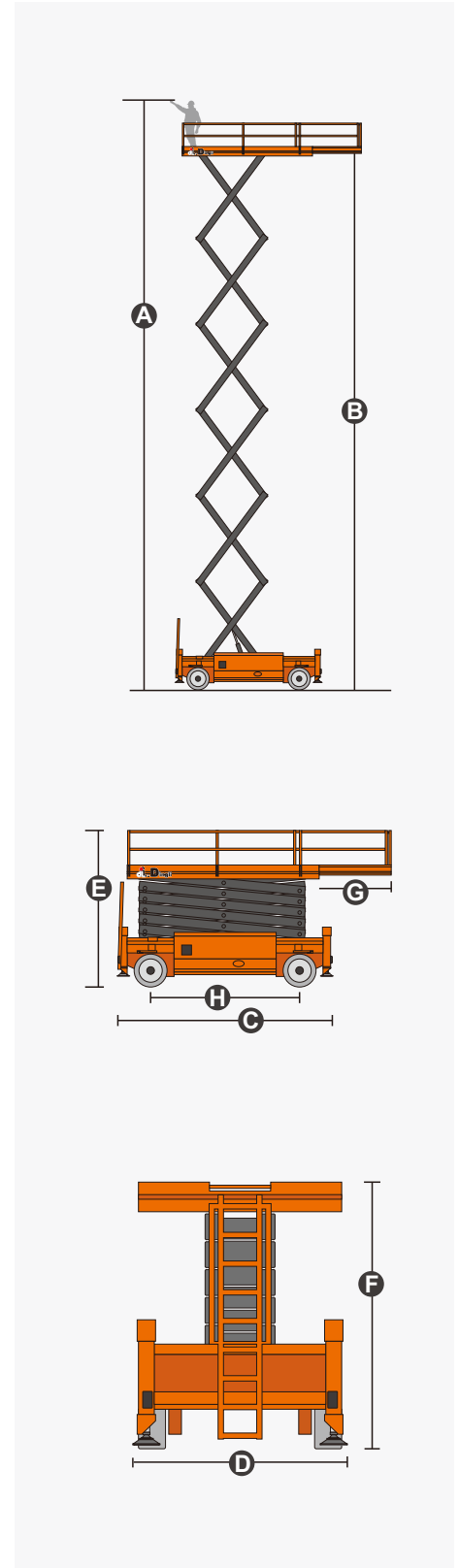
Size	Metric	British
Max. Working Height <b>A</b>	28m	91ft 10in
Max. Platform Height <b>B</b>	26m	85ft 4in
Overall Length <b>C</b>	5.96m	19ft 7in
Overall Width <b>D</b>	2.50m	8ft 2in
Overall Height(Rails Up) <b>E</b>	4.13m	13ft 7in
Overall Height(Rails Down) <b>F</b>	3.19m	10ft 6in
Platform Size(Length×Width)	5.48m×2.45m	18ft×8ft
Platform Extension Size <b>G</b>	2.1m	6ft 11in
Ground Clearance(Stowed/Raised)	0.23m	9.1in
Wheelbase <b>H</b>	4.10m	13ft 5in
Turning Radius(Inside/Outside)	3.5m/6m	11ft 6in/19ft 8in
Tyres	355/55D625	355/55D625

Performance		
S.W.L	1000kg	2204lb
S.W.L On Extension	1000kg	2204lb
Max. Occupants	4	4
Gradeability	40%	40%
Travel Speed(Stowed)	4.0km/h	4.0km/h
Travel Speed(Raised)	0.3km/h	0.3km/h
Max. Working Slope	2°/3°	2°/3°
Up/Down Speed	110/100sec	110/100sec

Weight		
Overall Weight	19800kg	43651lb

Power		
Diesel Engine	55kW/2600rpm	55kW/2600rpm
Diesel Tank	130L	130L
Hydraulic Tank	260L	260L

\* The platform height plus 2m (7ft in British standard) is the working height.  
Standards Compliance



## FEATURES

### Standard Items

- Proportional Joystick Controls
- Self-Locking Gates
- Charging Indicator
- Drivable At Full Height
- 4×4 Drive
- 4×4 Steer
- Four-Wheel Braking
- Self-Weight Lowering System
- Tubing Explosion-Proof System
- Onboard Fault Diagnostic System
- Tilt Alarm
- Motion Alarm
- Horn
- Hour Meter
- Hydraulic Oil Cooling System
- Charging Protection System
- Flashing LED Beacon
- Foldable Guard Rails
- Drive Enable
- Automatic One-Way Platform Extension Deck
- Manual Brake Release
- Lanyard Attachment Point
- Tie-Down And Lifting Points
- Automatic Leveling Hydraulic Outriggers
- Anti-Restart Engine Protection
- Emergency Pump
- Emergency Stop Button
- Platform Load Sense System

### Optional Items

#### Factory Tyres

- Foam-Filled Tyres \*\*
- Non-Marking Tyres

#### Factory Hydraulic Oil

- No. 46 Hydraulic Oil (Mineral Oil)\*\*

### Additional Items

- GPS Unit
- Biodegradable Hydraulic Oil
- AC Power Cord to Platform
- Air Line to Platform
- Work Light Package
- Footpedal Switch
- Anti-Collision Bar on Platform
- Visual Spirit Level
- Hydraulic Generator
- Oil-Water Separator
- Outrigger Pad Package
- Guard Mesh Package
- Self-Lubrication System

\*\* Factory Default, If You Have Other Needs, Please Inform Dingli Regional Sales.

## ZHEJIANG DINGLI MACHINERY CO., LTD.

No. 188 Qihang Road, Deqing, Zhejiang P.R.China 313219

Telephone +86(572)8681688

Fax +86(572)8681960

E-Mail [export@cndingli.com](mailto:export@cndingli.com)

[Http://www.cndingli.com](http://www.cndingli.com)

